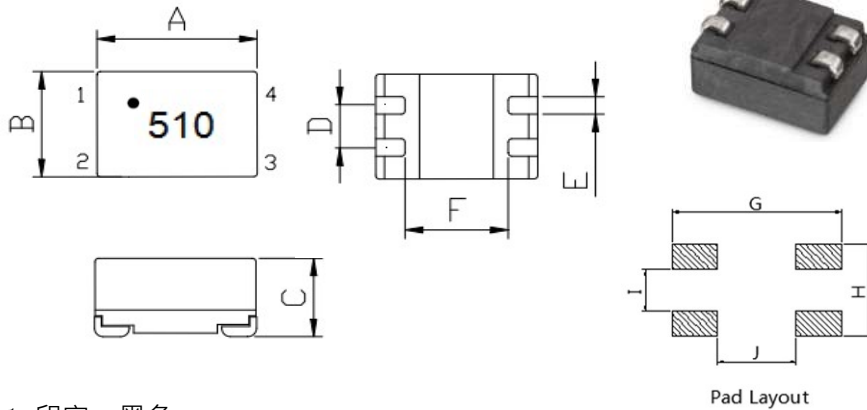


一. 外观图/DIMENSION (单位/UNIT: mm)

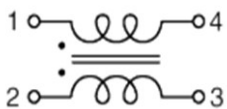


A	9.2±0.3
B	6.0±0.3
C	5.0±0.3
D	2.54±0.2
E	1.00±0.1
F	5.70 Typ
G	9.50 Typ
H	3.74 Typ
I	1.34 Typ
J	5.50 Typ

1. 印字：黑色

2. 平整度：0.1mm MAX

二. 电路图/CIRCUIT DIAGRAM



三. 电气特性/ELECTRICAL CHARACTERISTIC

Part Number	Inductance L1=L2 (uH)		DC Resistance N1,N2(Ω)	Rated Current (A)Max.	Impedance (Ω) Min	Freq. range (MHz)	Rated Volt. (Vdc)Max.	IR (Ω) Min.
LMML0905C-100	10 +50%/-30%	1KHz/0.1V	0.08 Max.	1.6	300	20~200	50	10M
LMML0905C-250	25 +50%/-30%	1KHz/0.1V	0.16 Max.	1.0	600	5~100	50	10M
LMML0905C-400	40 +50%/-30%	1KHz/0.1V	0.25 Max.	0.9	800	5~100	50	10M
LMML0905C-510	51 +50%/-30%	1KHz/0.1V	0.32 Max.	0.8	1000	5~50	50	10M
LMML0905C-251	250 ±50%	100KHz/5mV	0.13 Max.	1.2	600	5~50	50	10M
LMML0905C-471	470 ±50%	100KHz/5mV	0.14 Max.	1.1	800	1~50	50	10M
LMML0905C-501	500 ±50%	100KHz/5mV	0.15 Max.	1.0	900	1~40	50	10M
LMML0905C-102	1000 ±50%	100KHz/5mV	0.31 Max.	0.8	1000	1~30	50	10M
LMML0905C-202	2000 ±50%	100KHz/5mV	0.42 Max.	0.6	3000	1~10	50	10M
LMML0905C-472	4700 ±50%	100KHz/5mV	0.90 Max.	0.4	3000	0.5~5	50	10M
LMML0905C-652	6500 ±50%	100KHz/5mV	1.05 Max.	0.3	4000	0.3~2	50	10M

(1).Rated Current: Temp.rise 40°C Typ

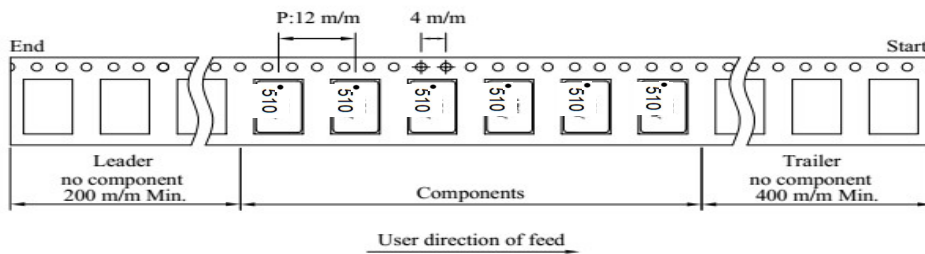
(2).Operating Temperature: -20°C up to +125°C

(3).Storage Temperature: -20°C up to +40°C, 75% RH max.

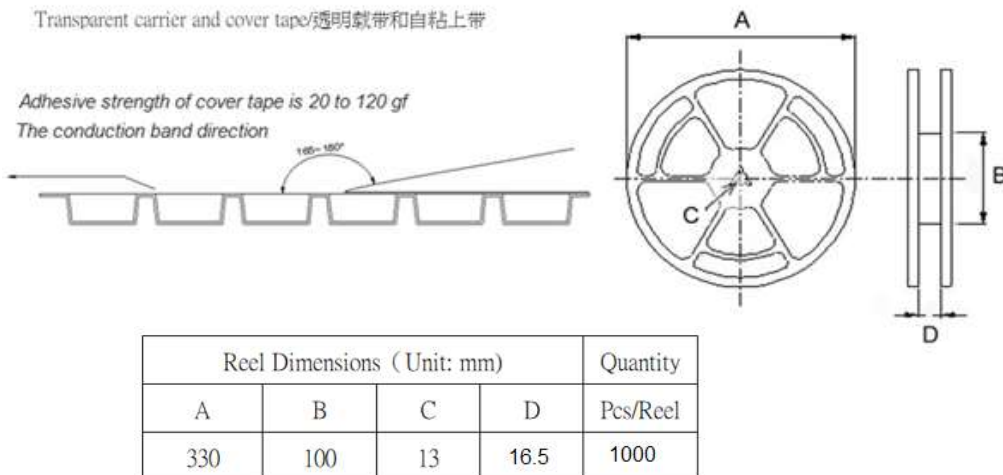
四. 材料清单/MATERIAL LIST

NO.	ITEM	DESCRIPTION
1	CORE	FERRITE
2	CASE	LCP SC-0186
3	WIRE	P180 Grd1
4	ADHESIVE	XNR3614
5	TIN	107H
6	INK	BLACK

五. 编带规格/TAPING SPECIFICATIONS



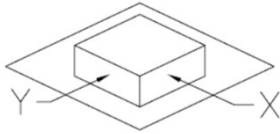
Transparent carrier and cover tape/透明载带和自粘上带





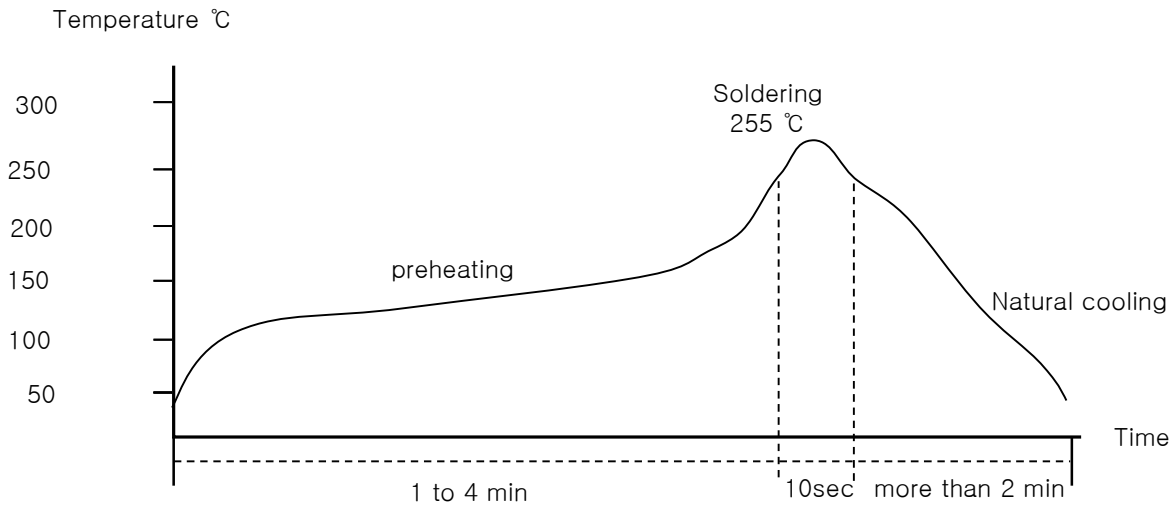
七. 可靠性测试/RELIABILITY TESTING

Operating Temperature	- 40 to +125 °C (Contain Heating coil)
Appearance Inspection	No external defects by visual inspection
Terminal Strength	After soldering , between copper plaet and terminals of coils , push in two directions of X , Y with standing 10N(1.02kg) for10+/-2 sec. Terminal should not peel off. (Refer to figure at right)
Heat endurance of reflow soldering	Refer to figure
Insulating resistance	Over 100 MΩ at 100V D.C . between wire and core
Dielectric Strength	Apply at 0.5KV 3mA for 1 minute between wire and core
Temperature characteristics	Inductance coefficient (0~2,000) × 10 / °C (- 40~ + 125 °C)
Humidity characteristics	Inductance deviation within ± 10% , after 96 hours in 90~95% relative humidity at 40 ± 2 °C and 1 hours drying under normal condition



A test is made under the above mentioned condition , and it is kept for 2 hours in the normal

IR Reflow profile



Temperature and humidity . After that , no mechanical and electrical defect should be found .

NOTICE

Leiditech reserves the right to make modifications,enhancements,improvements,corrections or other changes without further notice to any product herein. Leiditech does not assume any liability arising out of the application or use of any product described herein.