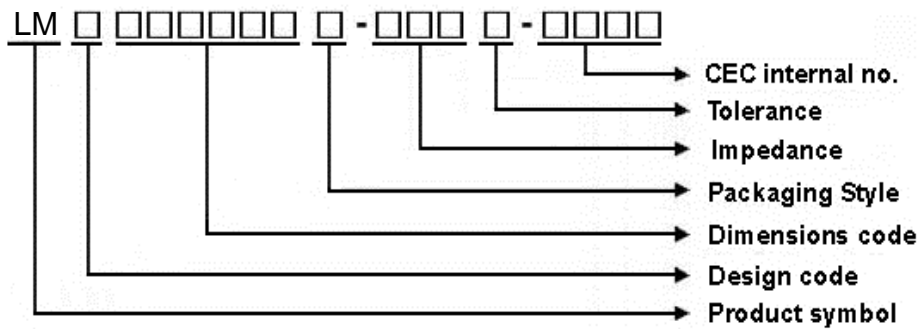


**1 Scope:** This specification applies to MULTILAYER FERRITE CHIP BEADS

**2 Part Numbering:**



**3 Rating:**

Operating Temperature:  $-40^{\circ}\text{C} \sim 125^{\circ}\text{C}$

Storage Temperature:  $-40^{\circ}\text{C} \sim 125^{\circ}\text{C}$  (after PCB)

$-5^{\circ}\text{C} \sim 40^{\circ}\text{C}$ , Humidity 40% ~ 70% (before PCB)

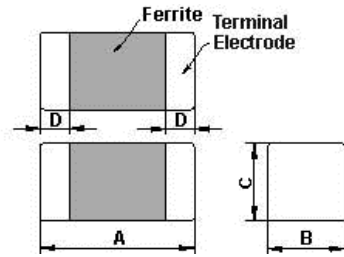
**4 Marking:**



**5 Standard Testing Condition**

	Unless otherwise specified	In case of doubt
Temperature	Ordinary Temperature(15 to 35°C)	20 to 30°C
Humidity	Ordinary Humidity(25 to 85% RH)	50 to 80 %RH

## 6 Configuration and Dimensions:



Dimensions in mm

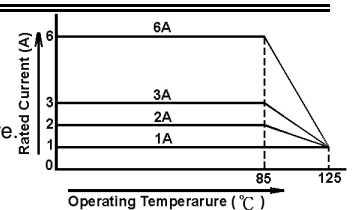
TYPE	PB160808
A	1.6±0.15
B	0.8±0.15
C	0.8±0.15
D	0.3±0.20

## 7 Electrical Characteristics:

Part No.	Impedance (Ω)	Test Freq.	RDC (Ω)Max.	Rated Current (mA)Max.
LMPY160808T-10□-N	10	100 MHz,200 mV	0.02	4000
LMPY160808T-110□-N	11	100 MHz,200 mV	0.02	4000
LMPY160808T-190□-N	19	100 MHz,200 mV	0.03	3000
LMPY160808T-250□-N	25	100 MHz,200 mV	0.03	3000
LMPY160808T-300□-N	30	100 MHz,200 mV	0.03	3000
LMPY160808T-330□-N	33	100 MHz,200 mV	0.035	3000
LMPY160808T-400□-N	40	100 MHz,200 mV	0.035	3000
LMPY160808T-520□-N	52	100 MHz,200 mV	0.04	3000
LMPY160808T-600□-N	60	100 MHz,200 mV	0.04	3000
LMPY160808T-800□-N	80	100 MHz,200 mV	0.05	2500
LMPY160808T-101□-N	100	100 MHz,200 mV	0.05	2500
LMPY160808T-121□-N	120	100 MHz,200 mV	0.08	2500
LMPY160808T-151□-N	150	100 MHz,200 mV	0.085	2000
LMPY160808T-181□-N	180	100 MHz,200 mV	0.09	2000
LMPY160808T-221□-N	220	100 MHz,200 mV	0.1	2000
LMPY160808T-301□-N	300	100 MHz,200 mV	0.12	1500
LMPY160808T-331□-N	330	100 MHz,200 mV	0.12	1500
LMPY160808T-471□-N	470	100 MHz,200 mV	0.15	1500
LMPY160808T-601□-N	600	100 MHz,200 mV	0.2	1000
LMPY160808T-102□-N	1000	100 MHz,200 mV	0.25	800
LMPY160808T-122□-N	1200	100 MHz,200 mV	0.25	800
LMPY160808T-152□-N	1500	100 MHz,200 mV	0.4	500

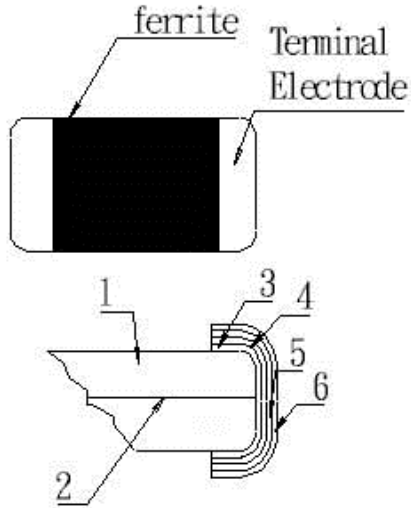
**NOTE:** □-tolerance Y=±25% / T=±30%

1. Operating temperature range – 4 0℃ ~ 1 2 5℃
2. Rate Current : Applied the current to coils, the temperature rise shall not be more than 30℃
3. As for PB/UPB type. Rated Current is derated as left figure depending on the operating temperature.



## 8 LMPY160808T Series

### 8.1 Construction:



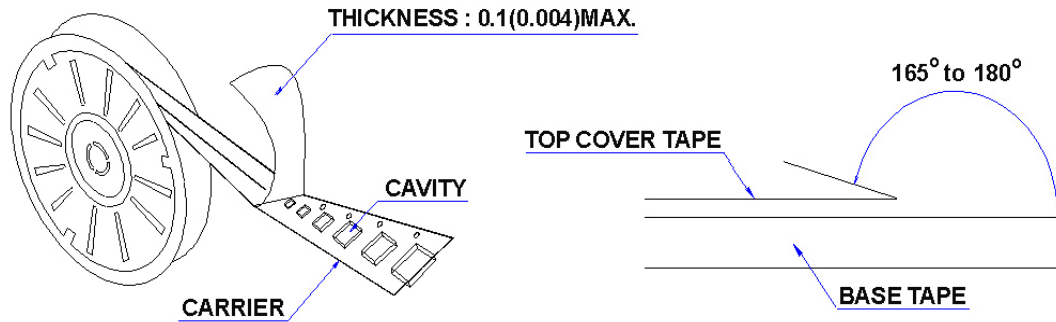
### 8.2 Material List:

No	Part	Material
1	Ferrite Substance	NiO-CuO-ZnO-Ferrite
2	Silver electrode	Ag
3	Silver electrode	Ag
4	Cu plating	Cu
5	Ni plating	Ni
6	Sn plating	Sn

## 10 Packaging:

### 10.1 Packaging -Cover Tape

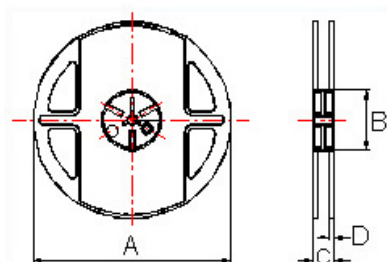
The force for tearing off cover tape is 10 to 100 grams in the arrow direction.



### 10.2 Packaging Quantity

TYPE	PCS/REEL
060303	15000
100505	10000
160808	4000
201209	4000

### 10.3 Reel Dimensions

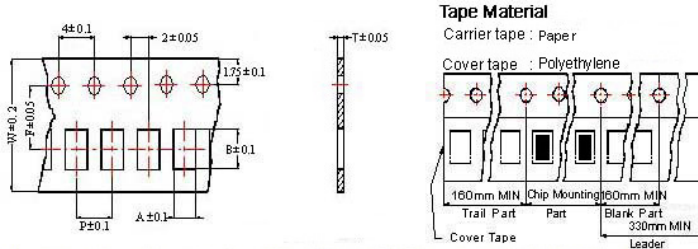


Dimensions in mm

TYPE	A	B	C	D
060303	178	60	12	1.5
100505	178	60	12	1.5
160808	178	60	12	1.5
201209	178	60	12	1.5

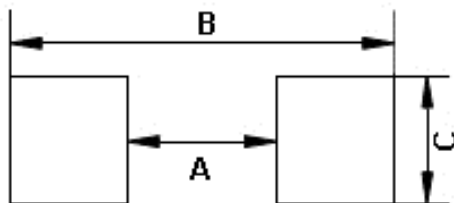
## 10 Packaging:

### 10.4 Tape Dimensions in mm



TYPE	A	B	T	W	P	F
060303	0.37	0.67	0.42	8	2	3.5
100505	0.62	1.12	0.60	8	2	3.5
160808	1.05	1.85	0.95	8	4	3.5
201209	1.50	2.30	0.97	8	4	3.5

## 11 Recommended Land Pattern:



Dimensions in mm

TYPE	A	B	C
160808	0.7 ~ 0.8	1.8 ~ 2.0	0.6 ~ 0.8

## 12

1. Please make sure that your product has been evaluated and confirmed against your specifications when our product is mounted to your product.
2. Do not knock nor drop.
3. All the items and parameters in this product specification have been prescribed on the premise that our product is used for the purpose, under the condition and in the environment agreed upon between you and us. You are requested not to use our product deviating from such agreement.
4. Please keep the distance between transformer/coil and other components (refer to the standard IEC 950)
5. The moisture sensitivity level (MSL) of products is classified as level 1.