

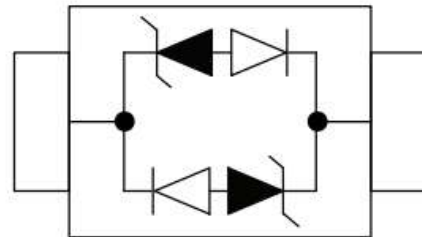
Features

- 350W peak pulse power (8/20 μ s)
- Ultra low capacitance: 0.6pF typical
- Ultra low leakage: nA level
- Low operating voltage: 5V
- Low clamping voltage
- Protects one power line or data line
- Complies with following standards:
 - IEC 61000-4-2 (ESD) immunity test
Air discharge: ± 30 kV
Contact discharge: ± 30 kV
 - IEC61000-4-4 (EFT) 80A (5/50ns)
 - IEC61000-4-5 (Lightning) 18A (8/20 μ s)
- RoHS Compliant

Dimensions SOD-323



Pin Configuration



Applications

- USB Ports
- SIM Ports
- Smart Phones
- Wireless Systems
- Set-top box and digital TV
- Digital video interface (DVI)
- Ethernet 10/100/1000 Base T

Mechanical Characteristics

- Package: SOD-323
- Lead Finish: Matte Tin
- Case Material: “Green” Molding Compound.
- UL Flammability Classification Rating 94V-0
- Quantity Per Reel:3,000pcs
- Reel Size:7 inch
- Device Marking: AC

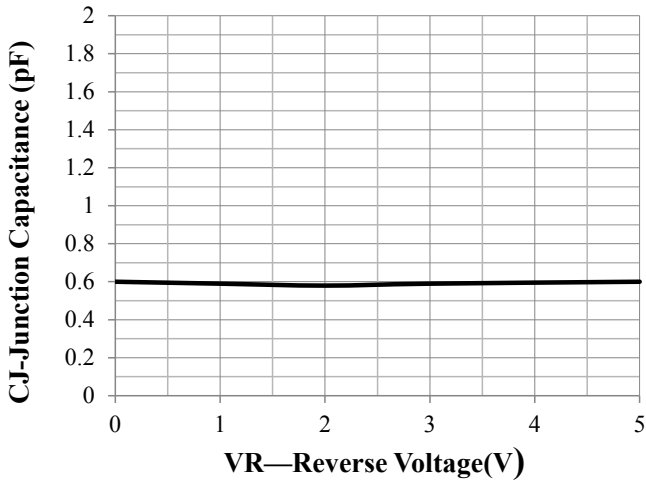
Absolute Maximum Ratings (T_{amb}=25°C unless otherwise specified)

| Parameter | Symbol | Value | Unit |
|---------------------------------|------------------|-------------|------|
| Peak Pulse Power (8/20 μ s) | P _{pp} | 350 | W |
| ESD per IEC 61000-4-2 (Air) | V _{ESD} | ± 30 | kV |
| ESD per IEC 61000-4-2 (Contact) | | ± 30 | |
| Operating Temperature Range | T _J | -55 to +125 | °C |
| Storage Temperature Range | T _{STJ} | -55 to +150 | °C |

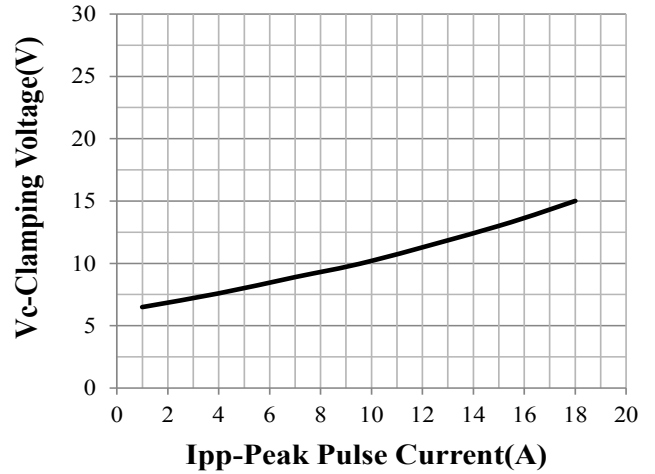
Electrical Characteristics($T_A=25^{\circ}\text{C}$ unless otherwise specified)

| Parameter | Symbol | Test Condition | Min | Typ | Max | Unit |
|-------------------------|-----------|----------------------------------------------------|-----|-----|-----|---------------|
| Reverse Working Voltage | V_{RWM} | | | | 5 | V |
| Breakdown Voltage | V_{BR} | $I_T = 1\text{mA}$ | 6 | | | V |
| Reverse Leakage Current | I_R | $V_{RWM} = 5\text{V}$ | | | 0.2 | μA |
| Clamping Voltage | V_C | $I_{PP} = 1\text{A}$ (8 x 20 μs pulse) | | | 10 | V |
| Clamping Voltage | V_C | $I_{PP} = 18\text{A}$ (8 x 20 μs pulse) | | | 20 | V |
| Junction Capacitance | C_J | $V_R = 0\text{V}$, $f = 1\text{MHz}$ | | 0.6 | | pF |

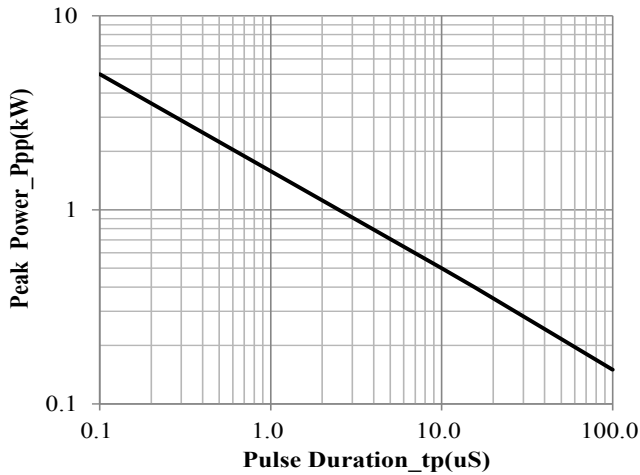
Typical Performance Characteristics(TA=25°C unless otherwise specified)



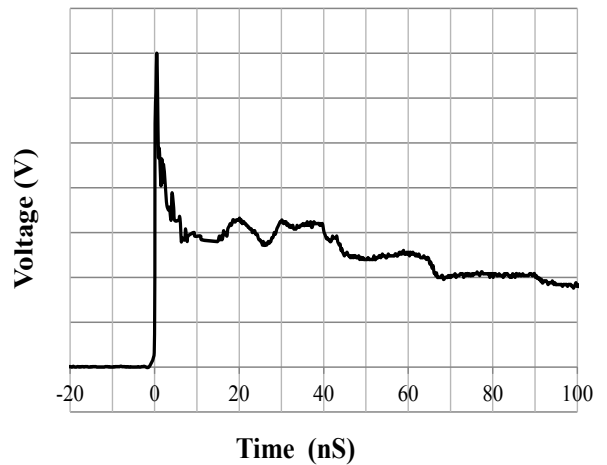
Junction Capacitance vs. Reverse Voltage



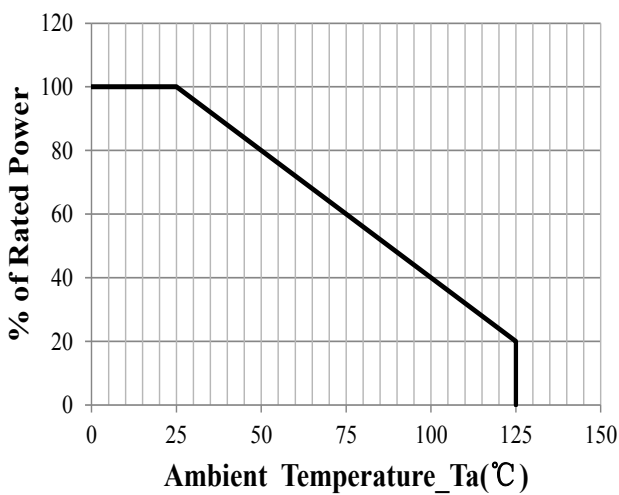
Clamping Voltage vs. Peak Pulse Current



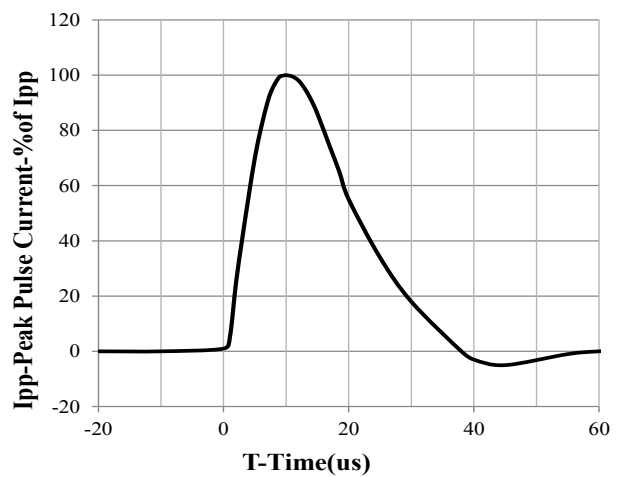
Peak Pulse Power vs. Pulse Time



IEC61000-4-2 Pulse Waveform

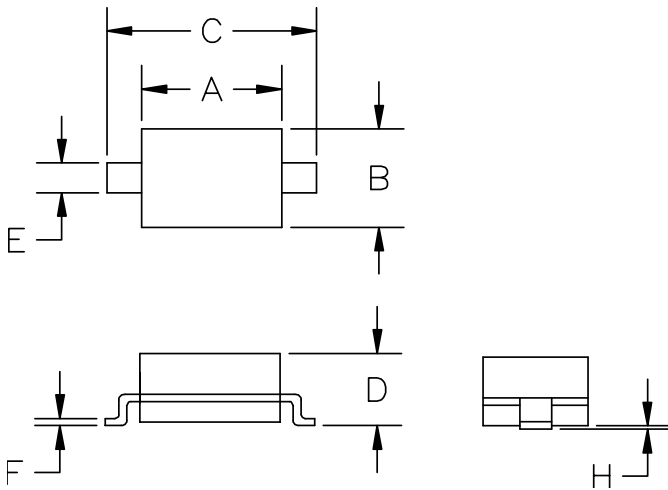


Power Derating Curve



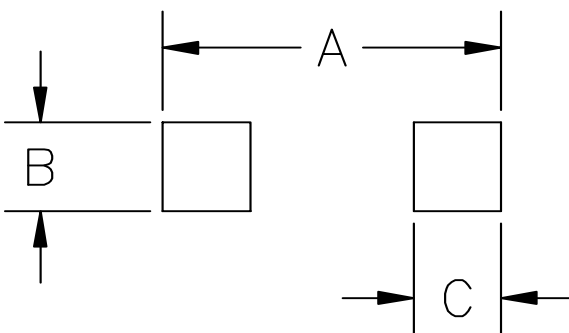
8 X 20us Pulse Waveform

SOD-323 Package Outline Drawing



| SYM | DIMENSIONS | | | |
|-----|-------------|------|--------|-------|
| | MILLIMETERS | | INCHES | |
| | MIN | MAX | MIN | MAX |
| A | 1.50 | 1.80 | 0.060 | 0.071 |
| B | 1.20 | 1.40 | 0.045 | 0.054 |
| C | 2.30 | 2.80 | 0.090 | 0.107 |
| D | - | 1.10 | - | 0.043 |
| E | 0.30 | 0.40 | 0.012 | 0.016 |
| F | 0.10 | 0.25 | 0.004 | 0.010 |
| H | - | 0.10 | - | 0.004 |

Suggested Land Pattern



| SYM | DIMENSIONS | |
|-----|-------------|--------|
| | MILLIMETERS | INCHES |
| A | 3.15 | 0.120 |
| B | 0.80 | 0.031 |
| C | 0.80 | 0.031 |

NOTICE

Leiditech reserves the right to make modifications, enhancements, improvements, corrections or other changes without further notice to any product herein. Leiditech does not assume any liability arising out of the application or use of any product described herein.